



## 381N500

**381 Series Industrial Potentiometer, Conductive Plastic Element, Solder lug Terminals, 1 W Power Rating, 500 Ohm Resistance Value**

*Representative photograph, actual product appearance may vary.*

*Due to regional agency approval requirements, some products may not be available in your area.*

*Please contact your regional Honeywell office regarding your product of choice.*

### Features

- Conductive plastic element
- Linear taper
- Rugged construction: Metal case and nickel-plated brass shaft and bushings
- Solder lug terminals

### Typical Applications

- Manual controls
- Welding and heating
- Telecommunications

### Description

The 381 Series is a 1 watt potentiometer with a conductive plastic element and a metal housing.

## 381N500

**381 Series Industrial Potentiometer, Conductive Plastic Element, Solder lug Terminals, 1 W Power Rating, 500 Ohm Resistance Value**

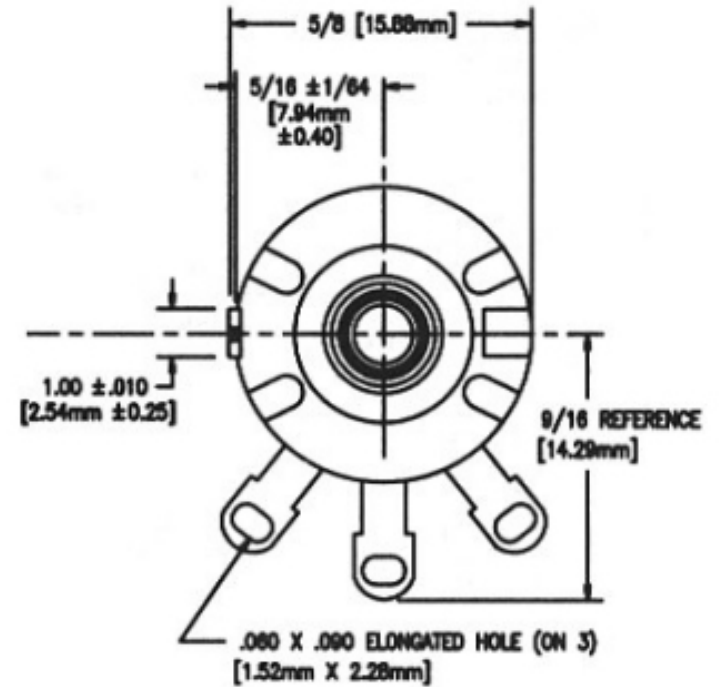
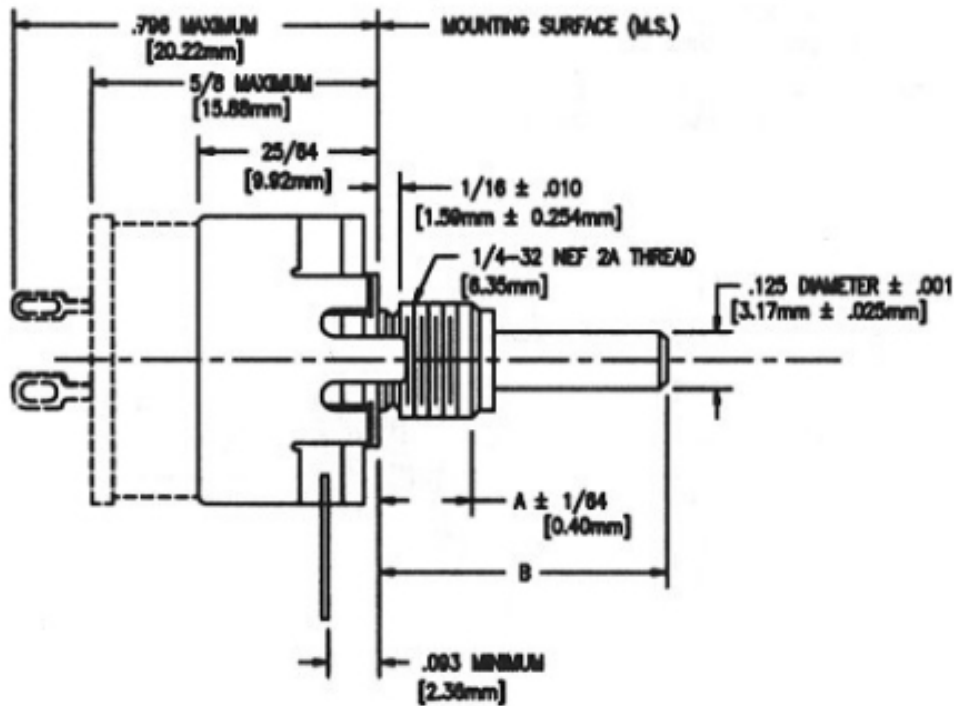
| Product Specifications |  |
|------------------------|--|
| Potentiometer Type     | Industrial   |
| Element Type           | Conductive Plastic                                 |
| Terminal Type          | Solder lug   |
| Power Rating           | 1 W  |
| Resistance Value       | 500 Ohm  |
| Resistance Tolerance   | ± 10 %   |
| Linearity              | ± 5 %  |
| Bushing Thread         | 6,35 mm [0.25 in] x 32 NEF-2A                      |
| Bushing length         | 6,35 mm [0.25 in]                                  |
| Bushing Type           | Standard   |
| Shaft Diameter         | 3,18 mm [0.125 in]                                 |
| Shaft length           | 19,05 mm [0.75 in]                                 |
| Shaft Ending           | Slotted  |
| Body                   | 15.88 mm [0.625 in] diameter, ± 0.79 mm [0.031 in] |
| Electrical Taper       | Linear   |
| Operating Temperature  | -40 °C to 120 °C [-40 °F to 248 °F]                |
| Working Voltage (Max.) | 350 V  |
| Rotational Life        | 25000 cycles                                       |
| Mechanical Rotation    | 300°   |
| Availability           | Global   |
| Series Name            | 381 Series   |
| UNSPSC Code            | 4111363300   |
| UNSPSC Commodity       | 4111363300 Potentiometers                          |

**Honeywell**

## 381N500

381 Series Industrial Potentiometer, Conductive Plastic Element, Solder lug Terminals, 1 W Power Rating, 500 Ohm Resistance Value

## For Reference Only mm/in



A & B & C DIMENSIONAL VARIABLE. TOLERANCES NOT SPECIFIED  $\pm 1/32$  [0.80mm]

# Honeywell

## 381N500

381 Series Industrial Potentiometer, Conductive Plastic Element, Solder lug Terminals, 1 W Power Rating, 500 Ohm Resistance Value

** WARNING**

**PERSONAL INJURY**

DO NOT USE these products as safety or emergency stop devices, or in any other application where failure of the product could result in personal injury.

**Failure to comply with these instructions could result in death or serious injury.**

** WARNING**

**MISUSE OF DOCUMENTATION**

- The information presented in this product sheet (or catalog) is for reference only. DO NOT USE this document as product installation information.
- Complete installation, operation and maintenance information is provided in the instructions supplied with each product.

**Failure to comply with these instructions could result in death or serious injury.**